

# ASSEMBLY AND INSTALLATION INSTRUCTIONS

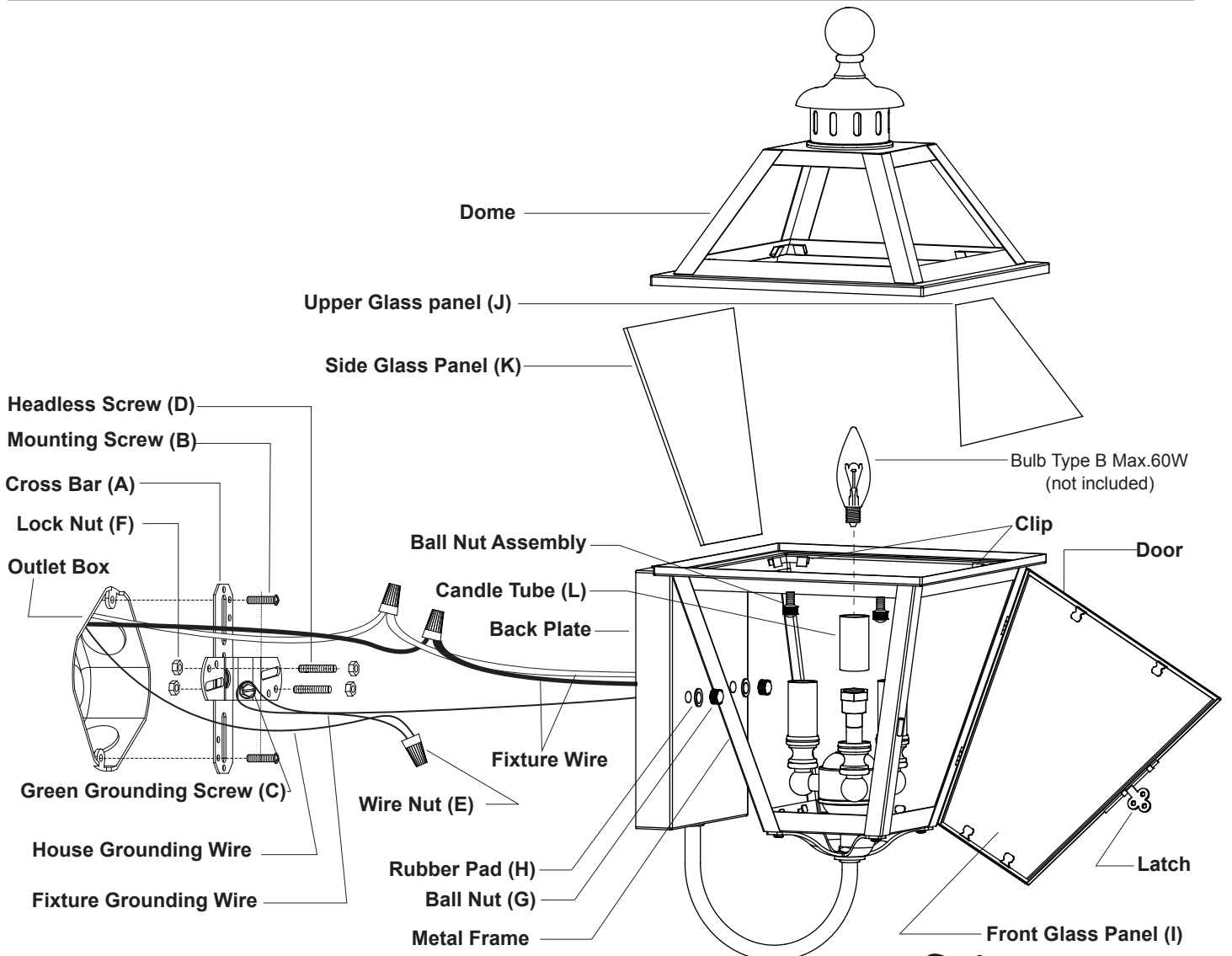
T0079

**WARNING:** Turn off the main power at circuit breaker before installing fixture.  
**AVERTISSEMENT:** Coupez la source d'alimentation principale au panneau central de disjoncteurs avant d'installer le luminaire.

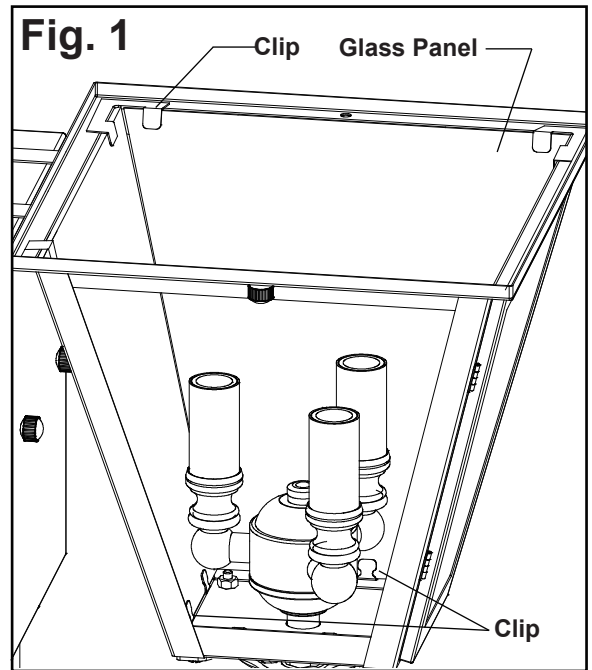
**NOTE:** 1. Before installing, consult local electrical codes for wiring and grounding requirements.  
 2. READ AND SAVE THESE INSTRUCTIONS.

**Parts:**

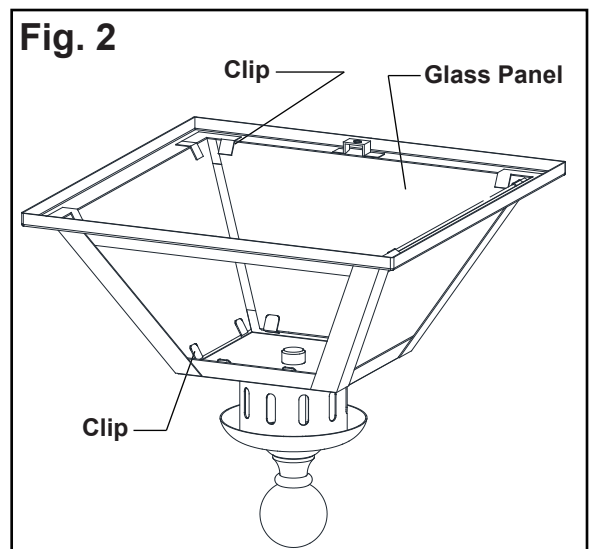
Parts Number (4999MM)			Parts Number (9586CE)	Parts Number (9569CE)
Cross Bar (A)	Mounting Screw (B)	Green Grounding Screw (C)	Front Glass panel (I) (X1)	Side Glass Panel (K) (X3)
			Parts Number (9568CE)	Parts Number (5003DD)
Headless Screw (D)	Wire Nut (E)	Lock Nut (F)		
			Upper Glass panel (J) (X4)	Candle Tube (L) (X3)
Ball Nut (G)	Rubber Pad (H)			



1. Take a side glass panel and gently place the side glass panel into the metal frame in place, then pressing the clips of the metal frame to secure the side glass panel. (See Fig. 1)
2. Repeat this process to complete all glass panel installation of side glass panels and front glass panel.
3. Take an upper glass panel and gently place the upper glass panel into the dome in place, then pressing the clips of the dome to secure the upper glass panel. (See Fig. 2) Repeat with other upper glass panels.

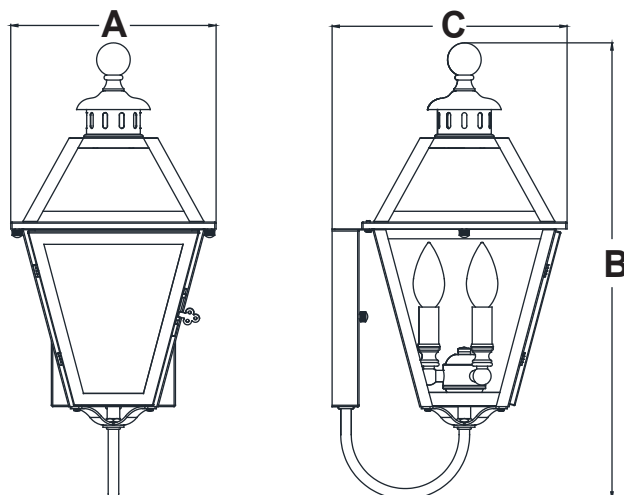


4. Attach the dome to the metal frames, then secure it with the ball nut assemblies.
5. Thread two headless screws to the cross bar, and secure them with four lock nuts (two on each side of the cross bar). Adjust the length of the headless screws if necessary.
6. Attach the cross bar to the outlet box by using two mounting screws.
7. Pull out the outlet wires and the house grounding wire from the outlet box. Make wire connections by using the wire nuts:
  - Connect the black (hot) wire from the fixture to the black (hot) wire from the power source.
  - Connect the white (neutral) wire from the fixture to the white (neutral) wire from the power source.
  - Attach the fixture grounding wire to the cross bar with the green grounding screw. Then connect it to the house grounding wire with a wire nut.
 Carefully put the wires back into the outlet box.
8. Attach the back plate to the cross bar by inserting the headless screws, then secure it with two rubber pads and two ball nuts.



**Note: With silicone caulking compound, caulk completely around where the back plate meets with the wall surface to prevent water from seeping into the outlet box.**

9. Open the door of the fixture by pushing up the latch, attach the candle tube onto the socket.
10. Install bulbs (not included). See relamping label at socket area or packaging for maximum allowed wattage.  
Close the door of the fixture by pulling down the latch.
11. Turn on the power at the main fuse or circuit breaker box.



A: 9"  
B: 20"  
C: 10-1/4"