

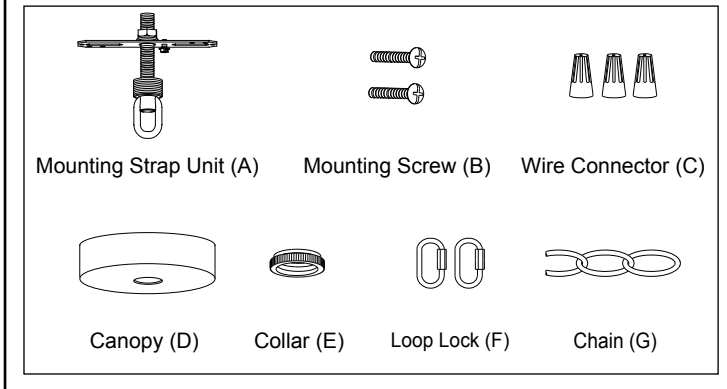
# ASSEMBLY AND INSTALLATION INSTRUCTIONS

T0609

**WARNING: Turn off the main power at circuit breaker before installing fixture.**  
**AVERTISSEMENT: Coupez la source d'alimentation principale au panneau central de disjoncteurs avant d'installer le luminaire.**

**NOTE: 1. Before installing, consult local electrical codes for wiring and grounding requirements.**  
**2. READ AND SAVE THESE INSTRUCTIONS.**

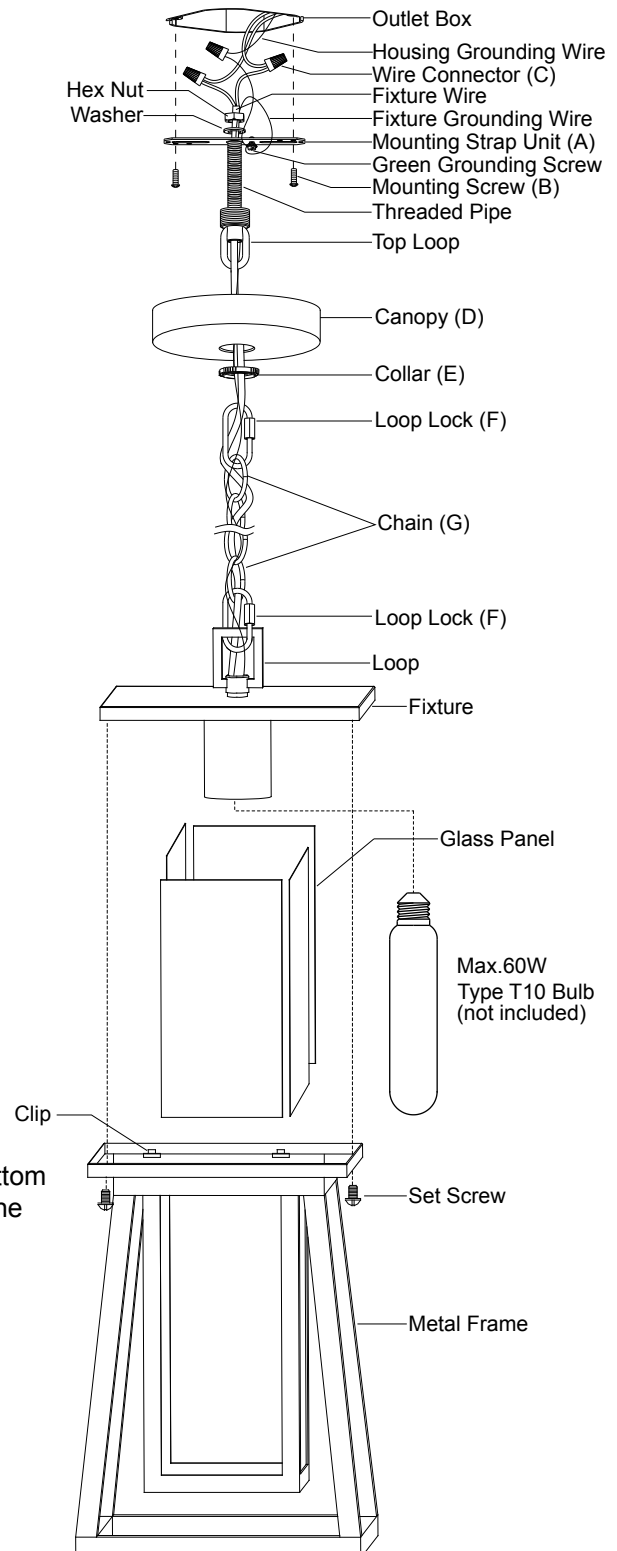
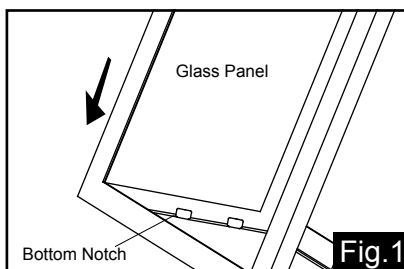
## Hardware Package(inculded):



## Installation Steps

Turn off the power at fuse or circuit box.

1. Attach the mounting strap unit (A) to the outlet box by using two mounting screws (B).
2. Choose the length of the chain (G) you need, then weave the fixture wire and the fixture grounding wire through the chain (G), collar (E) and canopy (D).
3. Connect one end of the chain (G) with the loop by using a loop lock (F).
4. Connect the other end of the chain (G) with the top loop by using another loop lock (F).
5. Unscrew the two set screws and remove the metal frame from the fixture.
6. Take a glass panel and gently slide it into the metal frame bottom notch in place, secure it by pressing two clips on top side of the metal frame. Repeat with the other glass panels. (See Fig.1)



7. Attach the metal frame back to the fixture by aligning holes, secure them with the two set screws.
8. Thread the fixture wire and fixture grounding wire through the mounting strap unit (A).
9. Pull out the source wires from the outlet box. Make wire connections using wire connectors (C) as follows:
  - Connect the smooth wire (marked) from the fixture to the black wire from the power source.
  - Connect the ridged wire (unmarked) from the fixture to the white wire from the power source.
  - Attach the fixture grounding wire (usually green with the insulation or bare wire) to the mounting strap unit (A) with the green grounding screw. Then, depending on local code, connect it to the house grounding wire with the wire connector (C).
 Carefully put all of the wires back into the outlet box.
10. Attach the canopy (D) to the mounting strap unit (A) by inserting the top loop, then secure it with the collar (E).
11. Install the bulb (not included). See relamping label at socket area or packaging for maximum wattage allowed.

**Turn on the power at fuse or circuit box.**

**The following parts are available for re-order if damaged or missing.**

**Spare Parts List:**

Mounting Hardware 6361MM (1 SET)

Mounting Strap Unit (A)

Mounting Screw (B)

Wire Connector (C)

Canopy (D)

Collar (E)

Loop Lock (F)

Chain (G)

Glass Panel X4 10253CG

