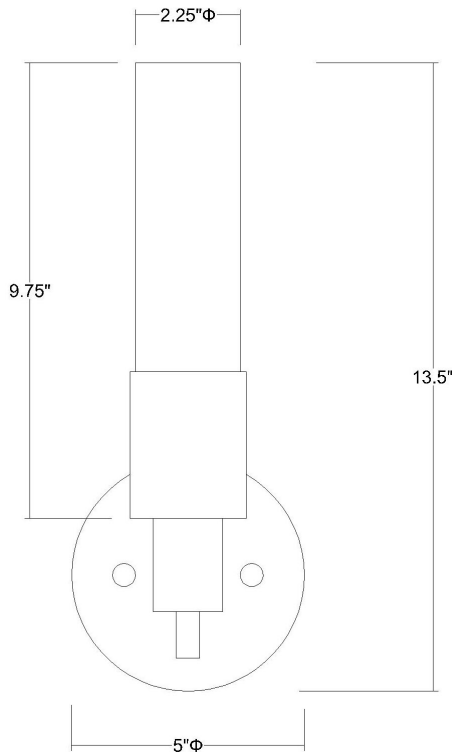
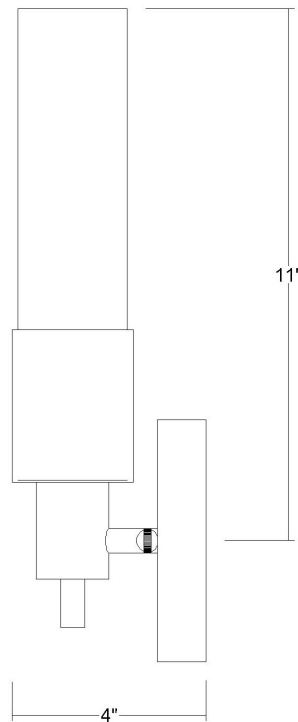


TW1055A-1 GENERATIONS ADA WALL SCONCE

Front view



Side view



Description:	Generations ADA wall sconce
Finish:	Brushed nickel
Dimensions:	13.5" H x 5" W x 4" ext. Height on center: 11"
Bulbs:	1 x 60W
Sockets:	120V E12 base
Shade:	Frosted opal glass
Installed Weight:	1.5 lbs.
Certification:	c UL

Material:	Steel and glass
Glass:	Frosted opal
Back Plate Dimensions:	5" dia.
Mounting Holes:	2.75" apart
Switch:	NA
Cord:	NA
Dimmable:	Yes