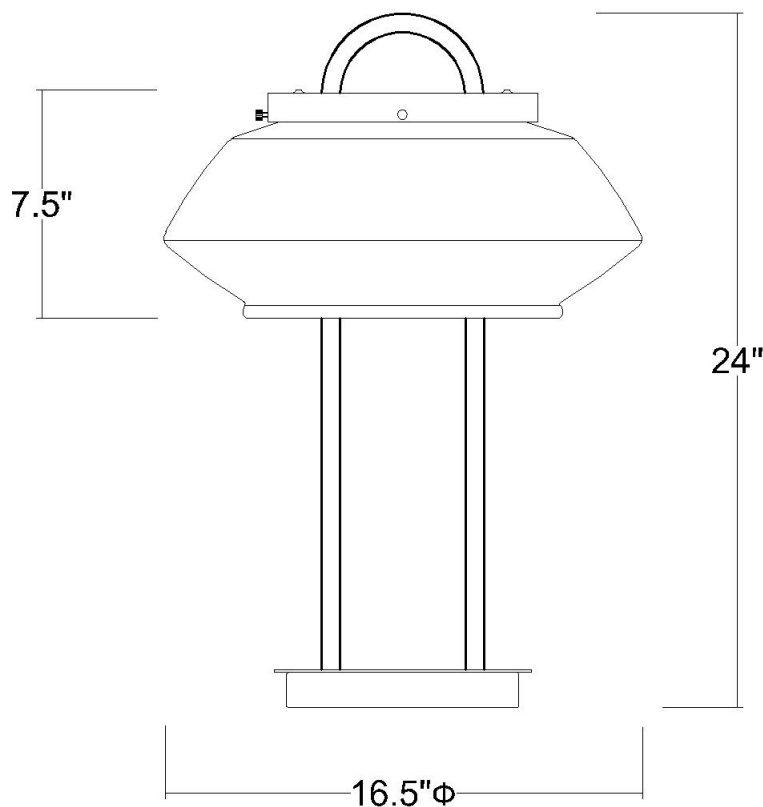


TT80062SN GARNER 2-LIGHT TABLE LAMP



Description: Garner 2-Light Table Lamp

Finish: Satin Nickel

Dimensions: 16-1/2" Dia. x 24" H

Bulbs: 2-60W Med.

Installed Weight: 12.4 lbs.

Certification: cUL

Material: Steel and glass

Shade: Glass

Shade Dimensions: NA

Glass: Clear

Cord: 6' clear plug-in

Switch: 3-way inline